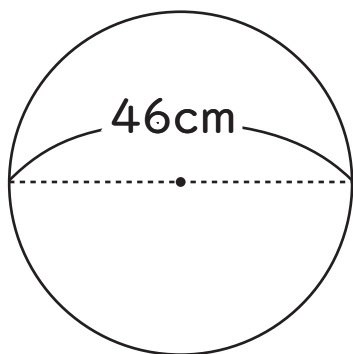


● 次の円の円周の長さを求めましょう。

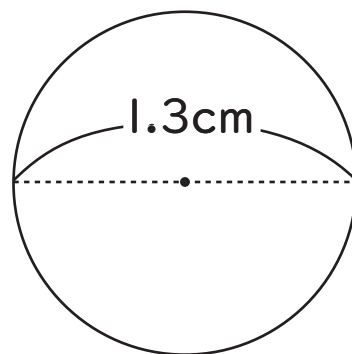
1



$$46 \times 3.14 = 144.44$$

(144.44cm)

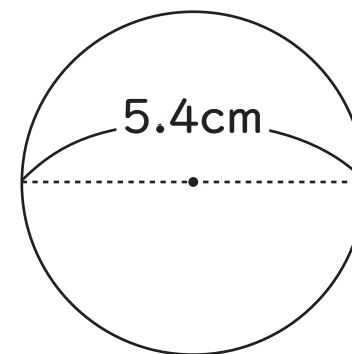
2



$$1.3 \times 3.14 = 4.082$$

(4.082cm)

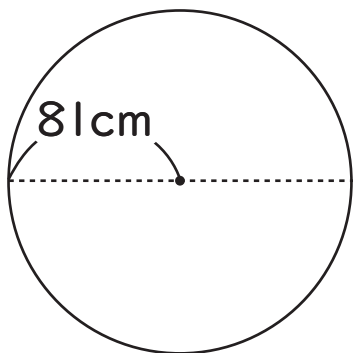
3



$$5.4 \times 3.14 = 16.956$$

(16.956cm)

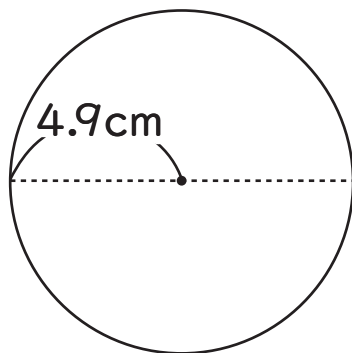
4



$$81 \times 2 \times 3.14 = 508.68$$

(508.68cm)

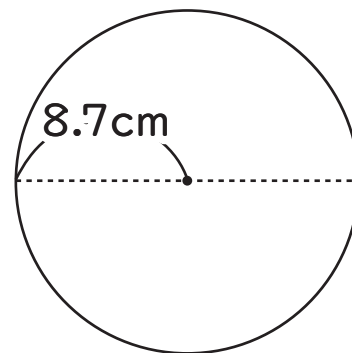
5



$$4.9 \times 2 \times 3.14 = 30.772$$

(30.772cm)

6



$$8.7 \times 2 \times 3.14 = 54.636$$

(54.636cm)